



# Horus H1

Hybrid Biometric & QR code Handheld Mobile  
Time Attendance Terminal



5.5"  
Touch Screen



Embedded 5200mAh  
Li-ion Battery



Android 10.0



IP65



NFC



QR Code



Fingerprint



Facial  
Recognition



Compatible with



ZKTeco's Horus H1, a handheld mobile time and attendance terminal designed for versatile use. With the rechargeable 5200mAh Li-ion battery, Horus H1 can operate for 5 hours without recharging. Also, the high-capacity battery provides ample power to support Horus H1 to perform hybrid biometric verifications, including facial recognition, fingerprint verification, NFC, and QR code management.

The Horus H1 has a GPS chip for location-based attendance tracking and supports various communication protocols, such as Wi-Fi, 3G, 4G, and Bluetooth. This flexibility ensures that attendance tracking is not limited to a specific method or location.

The Horus H1 is built to last, featuring a hexagonal rugged casing, tempered glass surface and an IP65 protection rating, protecting against accidental drops and vandal attacks.

Horus H1 is an ideal solution for working in harsh and rainy environments such as factories, construction sites, and industrial settings.

## Features

- 5.5 inch IPS LCD HD display (720\*1440)
- 5 MP+13 MP front and rear camera
- Support 2.4GHz/5.0GHz Wi-Fi, Bluetooth, 4G, GPS, NFC
- Embedded 5200mAh li-ion battery, support up to 5 operating hours
- Support high-speed and accurate QR code/barcode scanning
- Facial recognition distance: 0.3m to 2m. Facial recognition speed <1s/ ; User Facial recognition accuracy rate ≥99%
- Fingerprint recognition
- A hexagonal rugged casing with tempered glass surface and achieved IP65 protection rating (waterproof and dustproof)

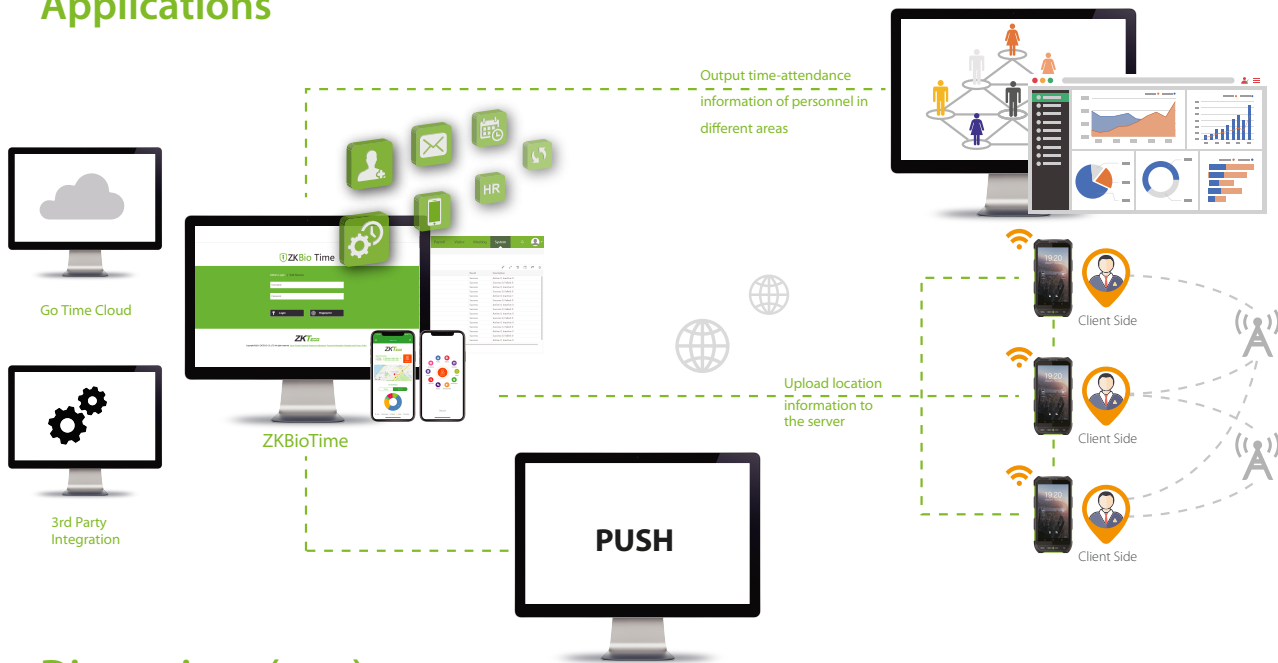
# Specifications

System	
Operation System	Android 10.0
CPU	64bit Octa-core Cortex-A73 CPU, 2.0GHz
Storage	4GB RAM / 64GB ROM, Micro SD card (max 256GB expansion)
SDK	PUSH SDK
Display	5.5 inch IPS Capacitive LCD touch screen
Screen Resolution	720*1440
Camera	Dual Lens Rear camera (13 megapixels); Front camera (5 megapixels)
QR Code & Barcode	Dynamic QR codes on the ZKBioSecurity mobile application QR code, PDF417, Data Matrix, MicroPDF417, Aztec scanning in third-party development projects
Supported Card Type	ISO14443A & 15693, NFC-IP1, NFC-IP2
Communication	
3G/4G	TDD LTE Band 38, 39, 40, 41 FDD LTE Band 1, 2, 3, 4, 5, 7, 8, 12, 17, 20 WCDMA (850 / 1900 / 2100MHz) GSM / GPRS / Edge (850 / 900 / 1800 / 1900MHz)
WLAN	2.4GHz / 5.0GHz Dual Frequency IEEE 802.11 a / b / g / n / ac
Bluetooth	Bluetooth Class v2.1+EDR Bluetooth v3.0+HS Bluetooth v4.2
GPS	GPS (embedded A-GPS), Glonass (accuracy distance of 5m)
Performance	
Card Reading Distance (NFC)	3cm-5cm max.
Biometric Authentications	Face, Fingerprint (Optional)
Facial Recognition Algorithm	ZKFace 5.6.2
Facial Recognition Distance	0.3m to 2m
Facial Recognition Speed	< 1s
Facial Recognition Accuracy Rate	≥ 99%
Fingerprint Sensor Type	Semiconductor
Fingerprint Comparison Time	≤0.5s
Capacity	
User Capacity	50,000
Face Capacity	50,000
Fingerprint Capacity	30,000 (Optional)
Card Capacity	50,000
Logs Capacity	1,000,000
Interface	1*USB 2.0 Type-C
Protection level	IP65
Supported Software	ZKBio Time, ZKBio Security, ZKBioCV Security, Go Time Cloud ,3rd Party software (Push SDK)
Firmware Functions	Push, Schedule Bell, Automatic Status Switch, Record Query, Groups, Holidays, DST, Workcode, Duress Mode (Password & Fingerprint), Customization of Wallpaper & Screen Saver
Language	English, Portuguese, Spanish

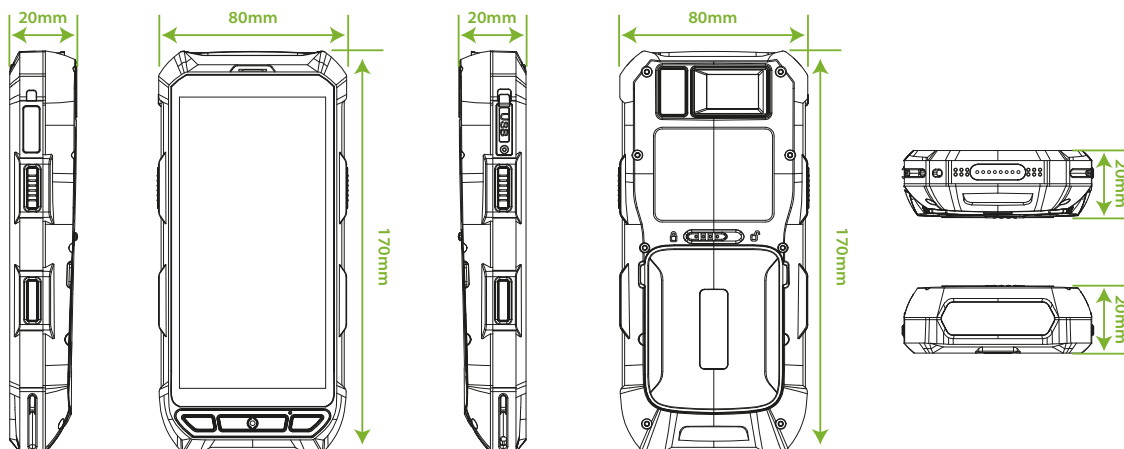
## General

Power Supply	5V 2A
Embedded Li-ion Battery	5200mAh
Casing Material	ABS plastic, tempered glass surface
Operating Temperature	-20°C to 50°C (-4°F to 122°F)
Storage Temperature	-20°C to 70°C (-4°F to 158°F)
Working Humidity	<90% RH
Storage Humidity	<90% RH
Operating Environment	Outdoor
Gross Weight	400g
Weigh with Packaging	700g
Dimensions (H*W*D)	170mm*80mm*20mm (6.7in*3.1in*0.8in)
Certifications	ISO9001, ISO14001, CE, FCC

## Applications



## Dimensions (mm)



V1.5 05/23/2023